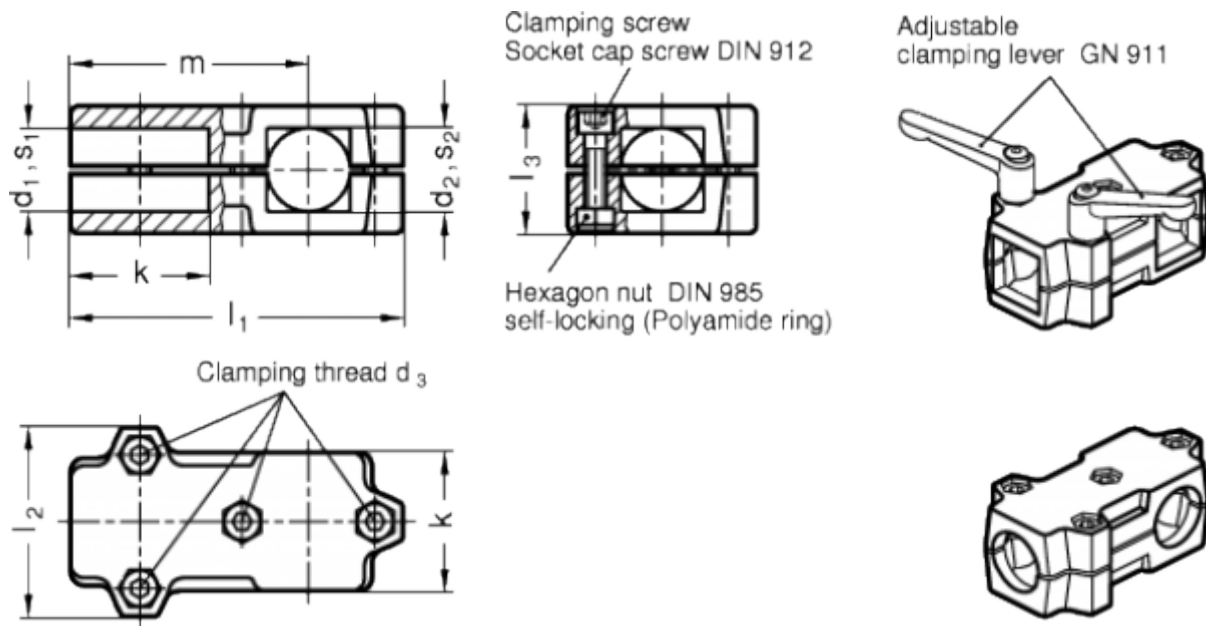


Article number: 20193B45B45762SW
 Description: E+G T-angel clamp
 GN 193-B45-B45-76-2-SW

Measures



Accessories = GN 911-M10-63	m	= -
d1 = 45	s1	= -
d2 = 45	s2	= -
d3 = M10	Weight in (g) = 1164	
k = 76		
l1 = 176		
l2 = 98		
l3 = 70		